



E6

310A Direct Roving

For Pultrusion

310A Assembled Roving is coated with a silane-based sizing compatible with epoxy resin and designed for pultrusion process. Based on E6 formulation, 310A delivers excellent electrical property when bonding with epoxy resin, and it is mainly used to manufacture electrical products such as insulation rods and insulation stanchions.



Product Features

- ◎ Fast and complete wet-out
- ◎ Good integrity and ribbonization
- ◎ Excellent moisture resistance and low fuzz
- ◎ Excellent electrical and mechanical properties of the finished composite product
- ◎ Excellent acid corrosion resistance

Identification

Glass Type	E6		
Type of Size	Silane		
Size Code	310A		
Linear Density (tex)	2400	4800	9600
Filament Diameter (um)	13	13	31

Technical Parameters

Linear Density (%)	Moisture Content (%)	Size Content (%)	Breakage Strength (N/tex)
ISO 1889	ISO 3344	ISO 1887	ISO 3341
±5	≤ 0.08	0.60 ± 0.10	≥ 0.30 (9600 tex) ≥ 0.40(2400/4800tex)

Packaging

* The product can be packed on pallet or in small cardboard boxes.

Package height mm (in)	260 (10)	260 (10)
Package inside diameter mm (in)	100 (4)	100 (4)
Package outside diameter mm (in)	270 (10.6)	310 (12.2)
Package weight kg (lb)	17 (37.4)	22 (50.7)

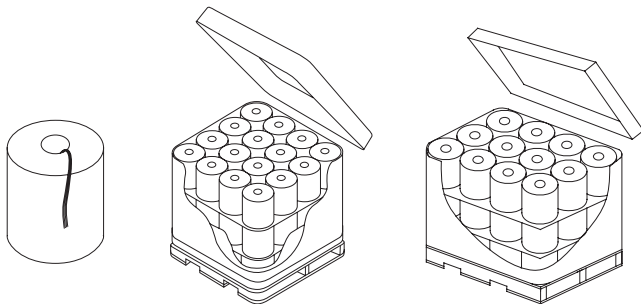
Storage

Unless otherwise specified, the fiberglass products should be stored in a dry, cool and moisture-proof area. The room temperature and humidity should be always maintained at 15°C~35°C and 35% ~ 65%. It is best if the product is used within 12 months after production date. The fiberglass products should remain in their original packaging until just prior to user .

To ensure safety and avoid damage to the product, the pallets should not be stacked more than three layers high. When the pallets are stacked in 2 or 3 layers, special care should be taken to correctly and smoothly move the top pallet.

Number of layers	3	4	3	4
Number of dofs per layer	16		12	
Number of dofs per pallet	48	64	36	48
Net weight per pallet kg (lb)	816 (1797.3)	1088 (2396.5)	828 (1825)	1104(2433.9)

Pallet length mm (in)	1120 (44)	1270 (50)
Pallet width mm (in)	1120 (44)	960 (37.8)
Pallet height mm (in)	940 (37)	1180 (46.5)



JUSHI GROUP CO., LTD.

版权所有：© 巨石集团有限公司 ® 巨石集团有限公司注册商标

Add: Tongxiang Economic Development Zone, Zhejiang 314500, PRC International Sales: +86-573-88181026 Fax: +86-573-88181058
 Domestic Sales: +86-573-88181016 Fax: +86-573-88136222 Customer Service: +86-573-88181017 Fax: +86-573-88181388
 Http://www.jushi.com E-mail: info@jushi.com