

362G Direct Roving is specially designed for LFT application in modified PP resin.  
362G is designed for LFT-D and LFT-G process and is widely used in automotive, construction, sports, electric and electronic applications.

### Product Features

- ◎ Good compatibility with PP resin
- ◎ Good moldability and dispersion
- ◎ Excellent mechanical properties of the finished composite product
- ◎ White finish of parts

### Identification

Example	EDR17-2400-362G
Glass Type	E
Direct Roving	DR
Linear Density, tex	17
Filament Diameter, um	2400
Size Code	362G



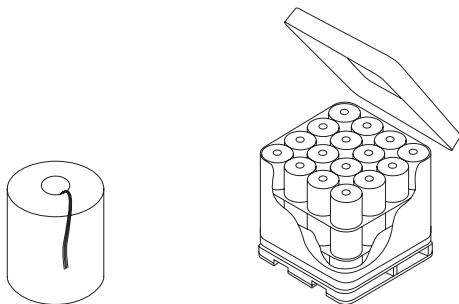
### Technical Parameters

Linear Density (%)	Moisture Content (%)	Size Content (%)	Breakage Strength (N/tex)
ISO 1889	ISO 3344	ISO 1887	ISO 3341
±5	≤ 0.10	0.40 ± 0.10	≥0.25

### Storage

Unless otherwise specified, the fiberglass products should be stored in a dry, cool and moisture-proof area. The room temperature and humidity should be always maintained at 15°C~35°C and 35% ~ 65%. It is best if the product is used within 12 months after production date. The fiberglass products should remain in their original packaging until just prior to user .

To ensure safety and avoid damage to the product, the pallets should not be stacked more than three layers high. When the pallets are stacked in 2 or 3 layers, special care should be taken to correctly and smoothly move the top pallet.



### Packaging

\* The product can be packed on pallet or in small cardboard boxes.

Package height mm (in)	260 (10)
Package inside diameter mm (in)	160 (6.3)
Package outside diameter mm (in)	270 (10.6)
Package weight kg (lb)	15.6 (34.4)

Number of layers	3	4
Number of doffs per layer	16	
Number of doffs per pallet	48	64
Net weight per pallet kg (in)	750 (1653.4)	1000 (2204.6)

Pallet length mm (in)	1120 (44)	
Pallet width mm (in)	1120 (44)	
Pallet height mm (in)	940 (37)	1180 (46.5)