

440A is our global Headliner Assembled roving compatible with polyurethane, unsaturated polyester and vinyl ester resins. 440A is designed to provide fine strand and excellent chopping and dispersion leading to even coverage at very low mat area densities and long chop lengths. This is especially useful in manufacturing of various Headliners, bumpers and specialty electrical covers.



Product Features

- ◎ Excellent choppability and dispersion
- ◎ Excellent static control
- ◎ Excellent strength of finished composite products

Identification

Example	ER14-2400-440A
Type of Glass	E
Assembled Roving	R
Filament Diameter, μm	14
Linear Density, tex	2400
Size Code	440A

Technical Parameters

Linear Density (%)	Moisture Content (%)	Size Content (%)	Stiffness (mm)
ISO 1889	ISO 3344	ISO 1887	ISO 3375
± 5	≤ 0.10	1.15 ± 0.15	140 ± 20

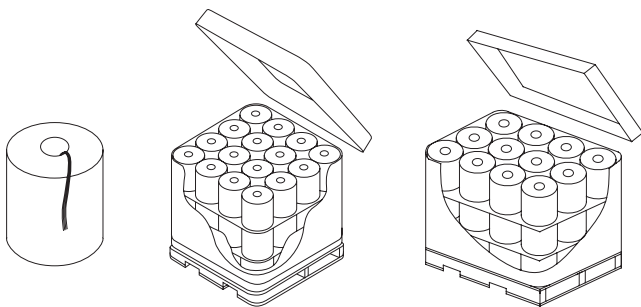
Packaging

* The product can be packed on pallet or in small cardboard boxes.

Package height mm (in)	260 (10)	260 (10)
Package inside diameter mm (in)	100 (4)	100 (4)
Package outside diameter mm (in)	270 (10.6)	310 (12.2)
Package weight kg (lb)	17 (37.4)	22 (48.5)

Storage

Unless otherwise specified, fiberglass products should be stored in a dry, cool and rain-proof area. It is recommended that the room temperature and humidity should be always maintained at $15^{\circ}\text{C}\sim 35^{\circ}\text{C}$ and $35\%\sim 65\%$ respectively. To ensure safety and avoid damage to the product, the pallets should not be stacked more than three layers high. When the pallets are stacked in 2 or 3 layers, care should be taken to correctly and smoothly move the top pallet.



Number of layers	3	4	3	4
Number of doffs per layer	16		12	
Number of doffs per pallet	48	64	36	48
Net weight per pallet kg (in)	816 (1797.3)	1088 (2396.5)	792 (1746)	1056 (2328)

Pallet length mm (in)	1120 (44)		1270 (50)	
Pallet width mm (in)	1120 (44)		960 (37.8)	
Pallet height mm (in)	940 (37)	1180 (46.5)	940 (37)	1180 (46.5)