

458A is a premium grade Pigmentable SMC roving, coated with a silane-based sizing compatible with unsaturated polyester and vinyl ester resins. 458A roving is mainly used to manufacture light color pigmented SMC products with excellent UV resistance. This roving enables high-temperature, fast molding cycles at very high First Pass Yields, because of the very low incident rate of blistering, fiber-show and pin-hole defects. The main applications include bathroom and sanitary ware fixtures, with extremely high demand for surface quality and color consistency.

Product Features

- ◎ Excellent static control and choppability
- ◎ Complete strand wet-out
- ◎ Fast and high sizing styrene solubility
- ◎ Outstanding color consistency and UV resistance
- ◎ Outstanding pigmentability and fiber whiteness
- ◎ Smooth, shiny surface in finished molded parts

Identification

Example	ER13-4400-458A
Type of Glass	E
Assembled Roving	R
Filament Diameter, μm	13
Linear Density, tex	4400
Size Code	458A

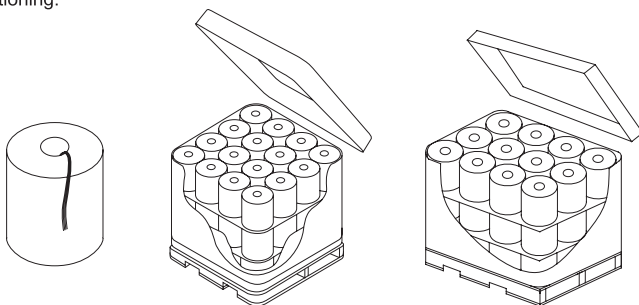


Technical Parameters

Linear Density (%)	Moisture Content (%)	Size Content (%)	Stiffness (mm)
ISO 1889	ISO 3344	ISO 1887	ISO 3375
± 5	≤ 0.15	2.00 ± 0.20	160 ± 20

Storage

Unless otherwise specified, the fiberglass products should be stored in a dry, cool and moisture-proof area. The fiberglass products should remain in their original package until prior to use. The room temperature and humidity should be always maintained at $15^{\circ}\text{C} \sim 35^{\circ}\text{C}$ and $35\% \sim 65\%$ respectively. To ensure safety and avoid damage to the product, the pallets should not be stacked more than three layers high. When the pallets are stacked in 2 or 3 layers, special care should be taken to correctly and smoothly move the top pallet. The product should be transferred to the workshop 24 hours before use to undergo conditioning.



Packaging

* The product can be packed on pallet or in small cardboard boxes.

Package height mm (in)	260 (10)	260 (10)
Package inside diameter mm (in)	100 (4)	100 (4)
Package outside diameter mm (in)	270 (10.6)	310 (12.2)
Package weight kg (lb)	17 (37.4)	28.5 (62.8)

Number of layers	3	4	3
Number of doffs per layer	16		12
Number of doffs per pallet	48	64	36
Net weight per pallet kg (in)	816 (1797.3)	1088 (2396.5)	1026 (2261.8)

Pallet length mm (in)	1120 (44)	1380 (54.3)	
Pallet width mm (in)	1120 (44)	1050 (41.3)	
Pallet height mm (in)	940 (37)	1180 (46.5)	940 (37)